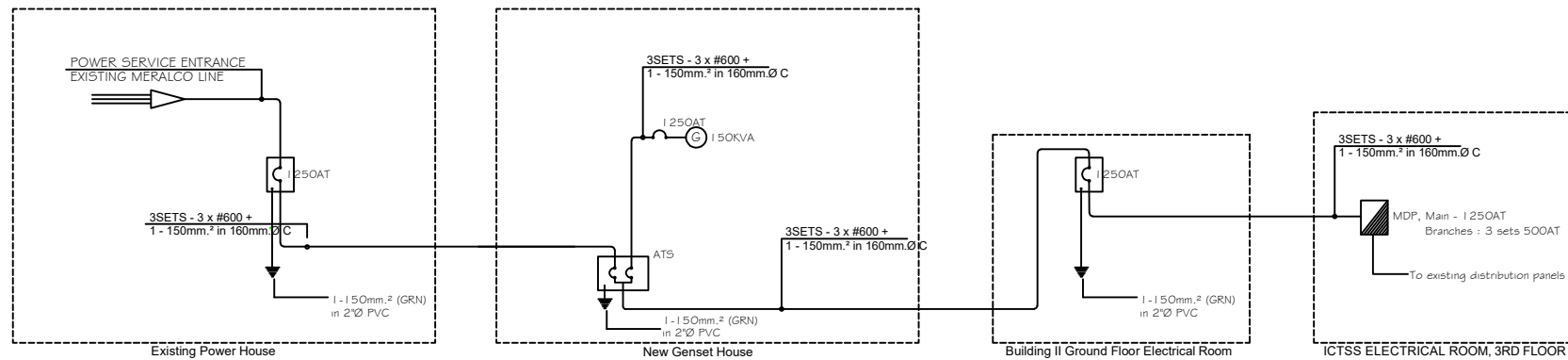


### GENERAL NOTES

1. ALL WORKS INDICATED HEREIN SHALL BE DONE IN ACCORDANCE WITH THE LATEST EDITION OF THE PHILIPPINE ELECTRICAL CODE, THE LAW AND ORDINANCES OF THE LOCAL CODE ENFORCING AUTHORITIES AND THE TECHNICAL SPECIFICATIONS FOR THE ELECTRICAL WORKS OF THIS PROJECT.
2. THE POWER SOURCE SHALL BE 230 VOLTS, 3 PHASE 60 HZ.
3. REFER TO TABLE 12.1.1.3(a) OF THE PHILIPPINE ELECTRICAL CODE FOR PROPER CONDUIT SIZES CONTAINING CONDUCTORS WHEN SUCH ARE NOT INDICATED IN THE DRAWINGS.
4. CIRCUIT BREAKERS SHALL BE BOLT-ON TYPE AND OF THE MAGNETIC-THERMAL TYPE COMMON TRIP
5. ALL ELECTRICAL WORKS MUST BE SUPERVISED BY A DULY LICENSED ELECTRICAL ENGINEER OR MASTER ELECTRICIAN.
6. ALL CIVIL WORKS SHALL CONFORM WITH THE LATEST NATIONAL BUILDING CODE OF THE PHILIPPINES AND STRUCTURAL CODE OF THE PHILIPPINES.
7. ALL PLANS SHALL BE DULY SIGNED AND SEALED BY LICENSED ENGINEERS PRIOR TO IMPLEMENTATION



REPUBLIC OF THE PHILIPPINES  
**Department of Budget and Management**  
 GENERAL SOLANO STREET, SAN MIGUEL, Manila

Project Title:

DBM DATA CENTER REFRESH AND  
 SUPPORT SERVICES  
 (GENERATOR SET)